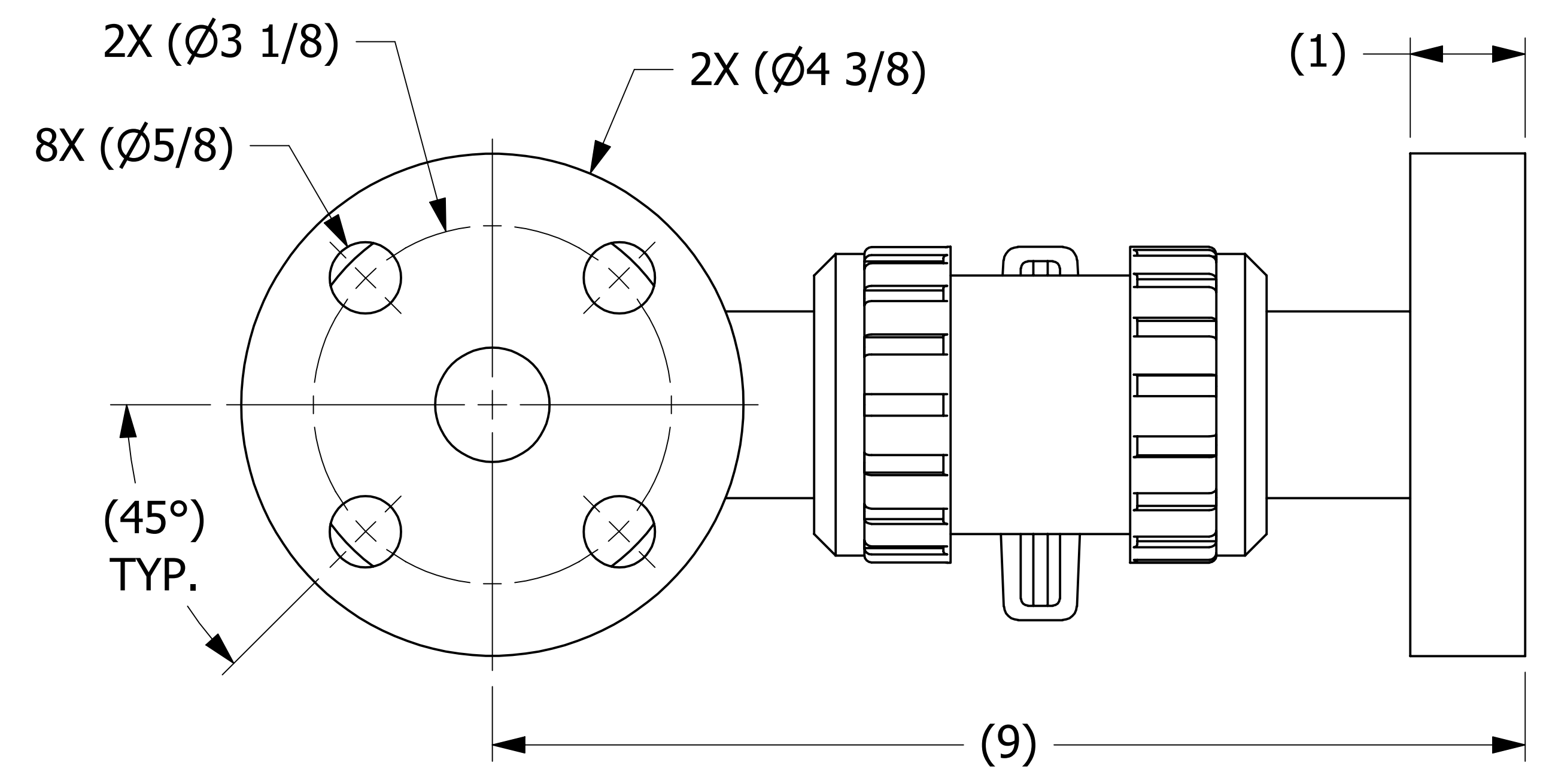
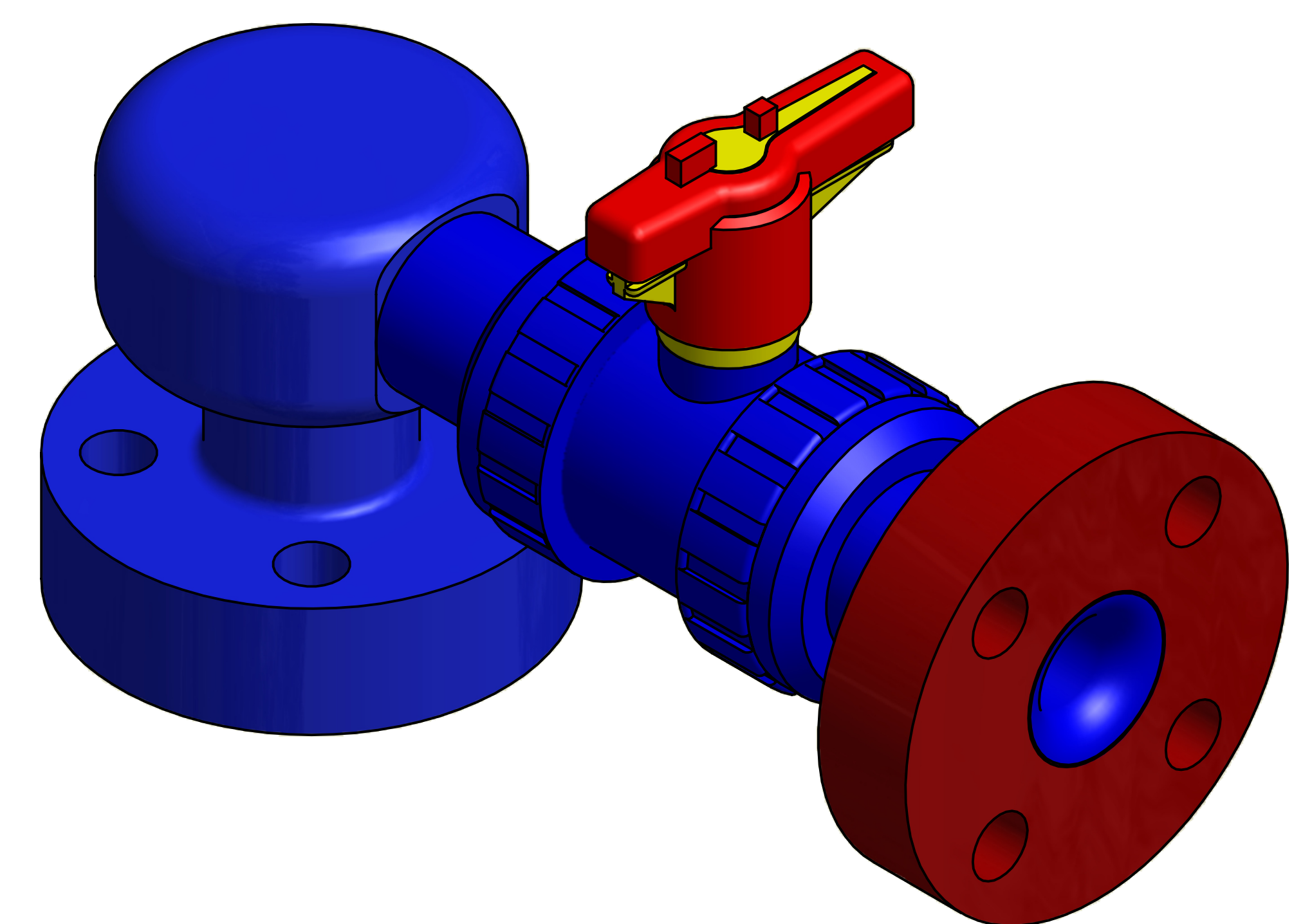
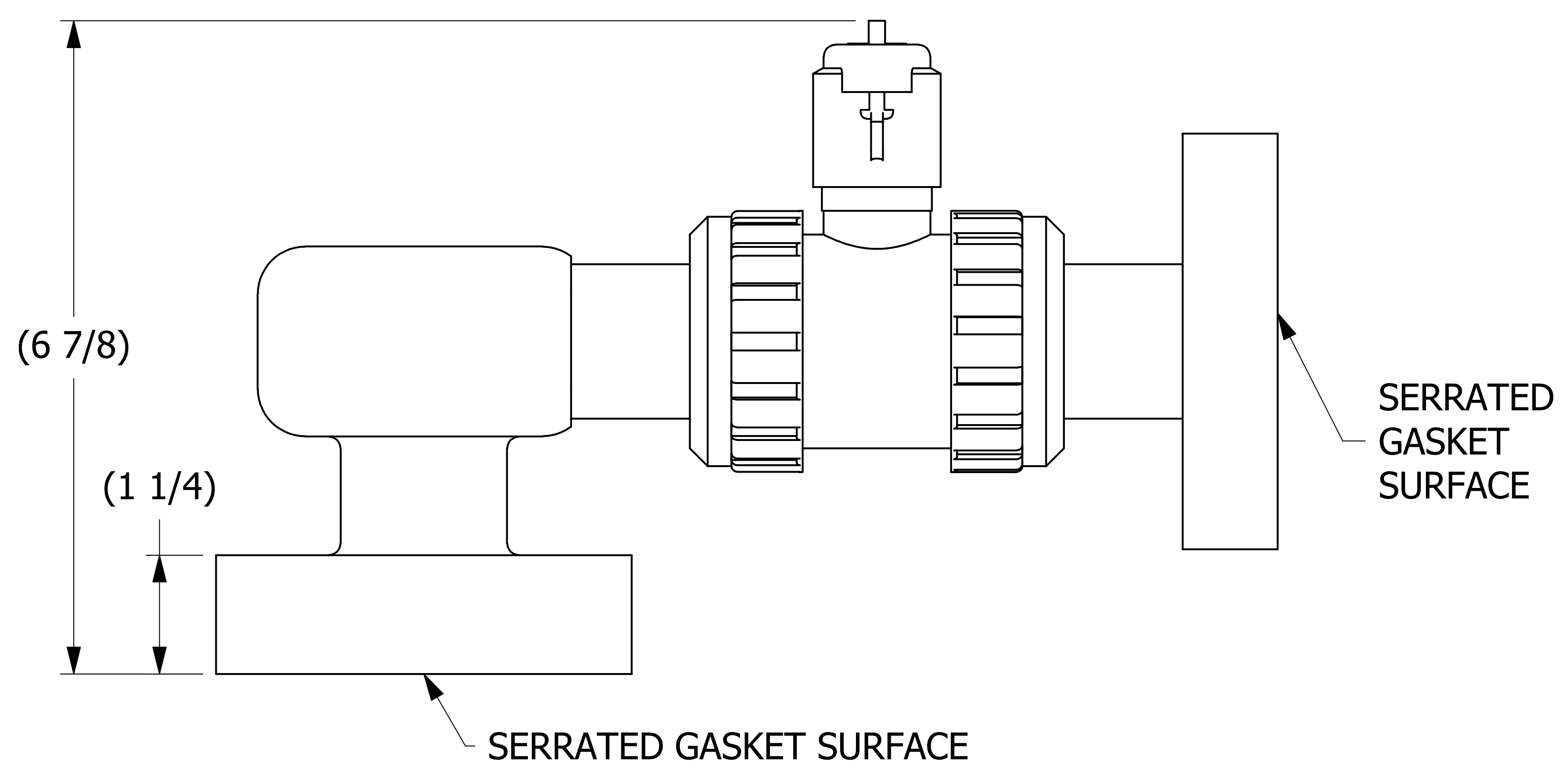


SALES DRAWING

SALES DRAWING



UNLESS OTHERWISE SPECIFIED
DIMENSIONAL TOLERANCES

FRACTIONAL: ±1/16

X.XX: ±.03

X.XXX: ±.015

ANGULAR: ±1°

DEBURR ALL SHARP EDGES.
ALL MACHINED SURFACES TO
HAVE A 125 RMS FINISH
UNLESS NOTED OTHERWISE.

THIRD ANGLE PROJECTION

DRAWN BY:	JG
CHECKED BY:	CHL
PROTOTYPE BY:	JG
PROTOTYPE DATE:	5/15/2015
APPROVED FOR PRODUCTION BY:	CHL
PRODUCTION DATE:	5/20/2015

A	JG	5-20-15	RELEASED FOR PRODUCTION
REV	BY	DATE	DESCRIPTION
SALCO PRODUCTS, INC.			
PART NAME: AIR VALVE ASSEMBLY 1"			
MATERIAL: SALCO PE/PE		PROJECT #: H150513	SHEET #: 1 OF 1
DRAWING #: D41486		PART #: HSVAPE41486	
		SCALE: 1:1	

THIS PRINT, PROPERTY OF SALCO PRODUCTS INC. CONTAINS PROPRIETARY INFORMATION AND MUST NOT BE COPIED, REPRODUCED, OR USED DETRIMENTALLY TO OUR INTEREST.